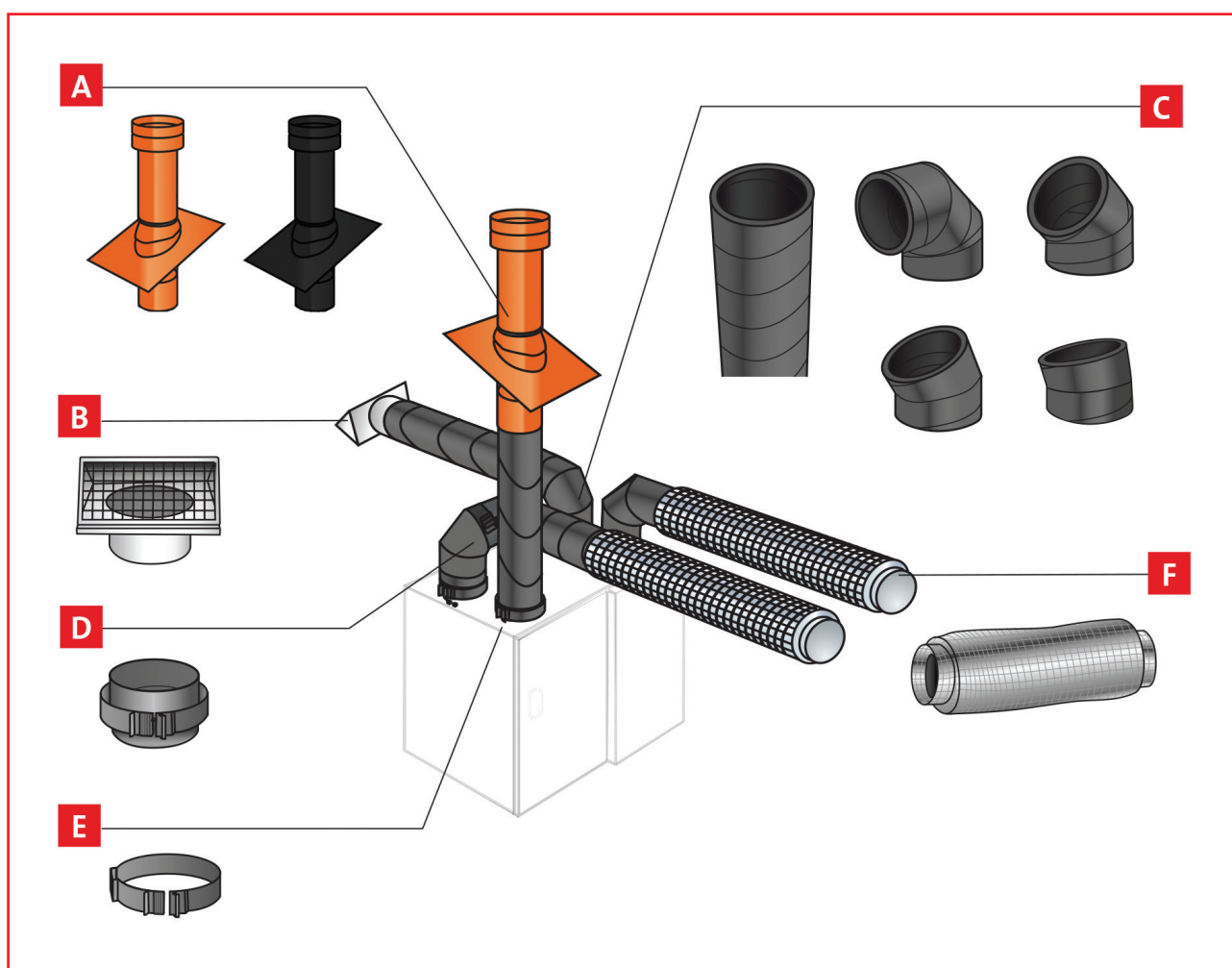


INSULATED MASS FLOW DUCTWORK



A = Roof Terminal C = Insulated Duct E = Wall Bracket
B = Wall Terminal D = Connector F = Attenuator

Insulated Ductwork

Code	Description	
188202	125mm INSULATED DUCT 2.m	 <p>INSULATED DUCT</p>
188262	125mm INSULATED DUCT 45 ° BEND	
188263	125mm INSULATED DUCT 90 ° BEND	
188265	125mm INSULATED DUCT CONNECTOR	
169141	125mm INSULATED DUCT WALL BRACKET	
188205	150mm INSULATED DUCT 2m	 <p>INSULATED DUCT CONNECTOR</p>
188270	150mm INSULATED DUCT 15° BEND	
188271	150mm INSULATED DUCT 30° BEND	
188272	150mm INSULATED DUCT 45° BEND	
188273	150mm INSULATED DUCT 90° BEND	
188275	150mm INSULATED DUCT CONNECTOR	 <p>INSULATED DUCT WALL BRACKET</p>
169142	150mm INSULATED DUCT WALL BRACKET	
188210	160mm INSULATED DUCT 2m	
188224	160mm INSULATED DUCT 45 ° BEND	
188225	160mm INSULATED DUCT 90 ° BEND	
188255	160mm INSULATED DUCT CONNECTOR	 <p>INSULATED DUCT 15° BEND</p>
169139	160mm INSULATED DUCT WALL BRACKET	
188206	180mm INSULATED DUCT 2m	
188280	180mm INSULATED DUCT 15° BEND	
188281	180mm INSULATED DUCT 30° BEND	
188282	180mm INSULATED DUCT 45° BEND	 <p>INSULATED DUCT 30° BEND</p>
188283	180mm INSULATED DUCT 90° BEND	
188285	180mm INSULATED DUCT CONNECTOR	
169143	180mm INSULATED DUCT WALL BRACKET	
542022	ADAPTOR 160/150	
542023	ADAPTOR 200/180	
		 <p>INSULATED DUCT 90° BEND</p>